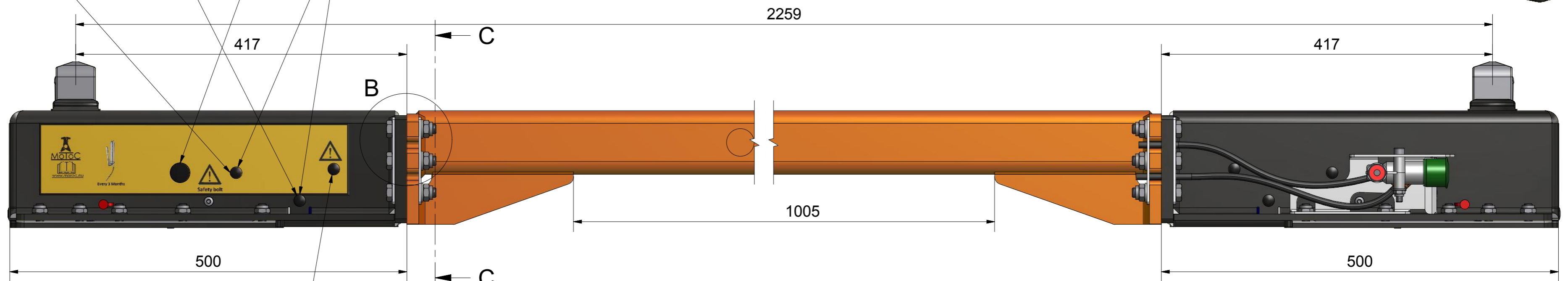


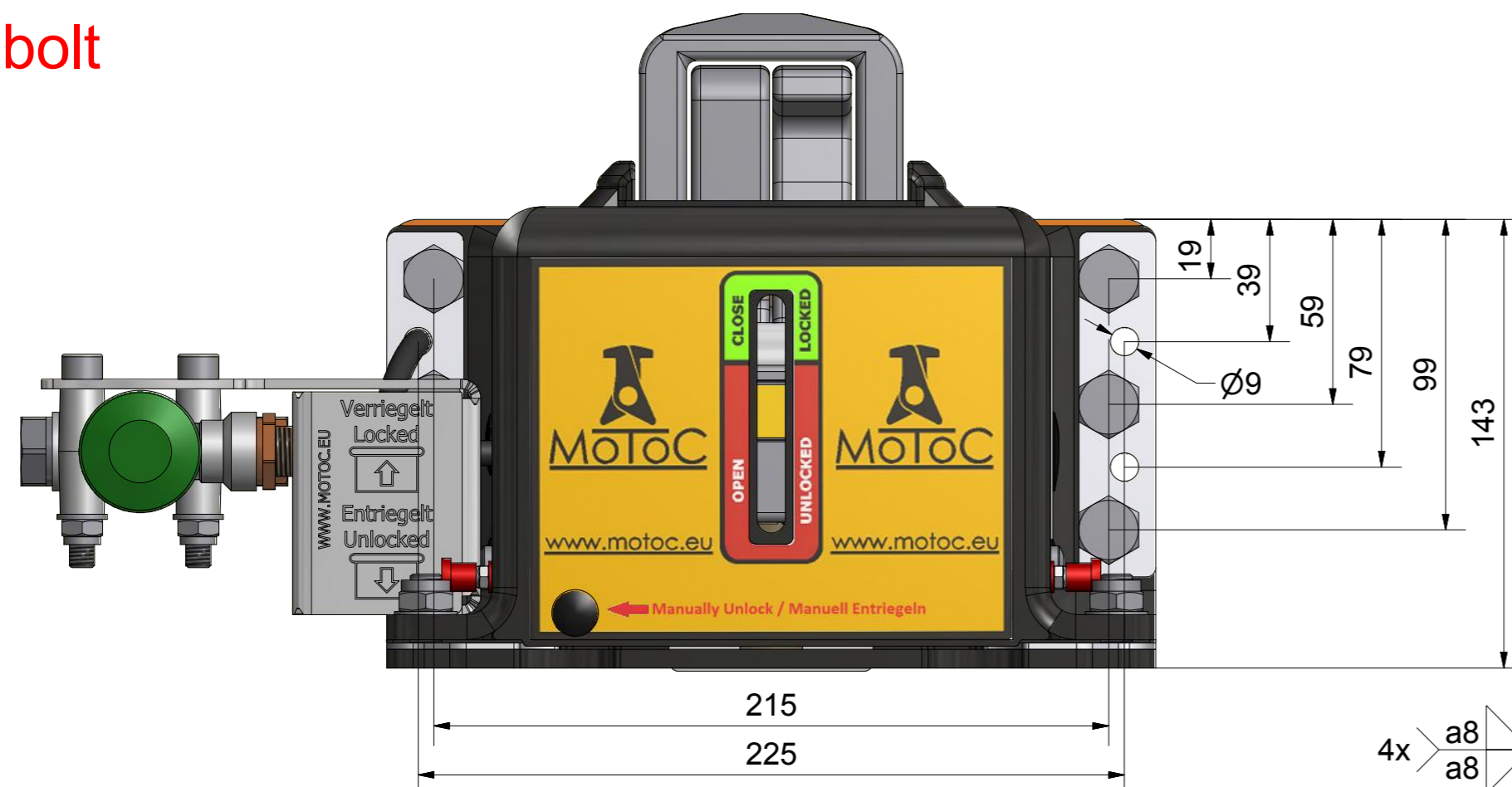
Locked Unlocked

Air connection left or right side

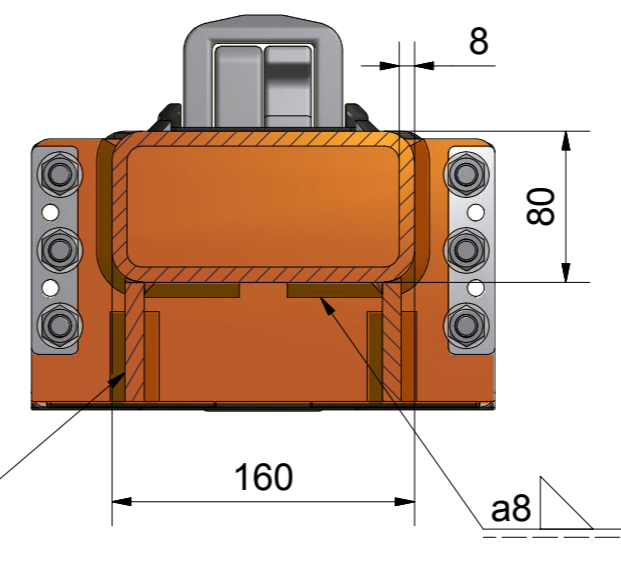
Use only those positions to mount the sensors !!!  
Maximum 8mm deep



Only for service of the Motoc !!!  
Safety bolt



C-C (1:4)

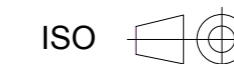


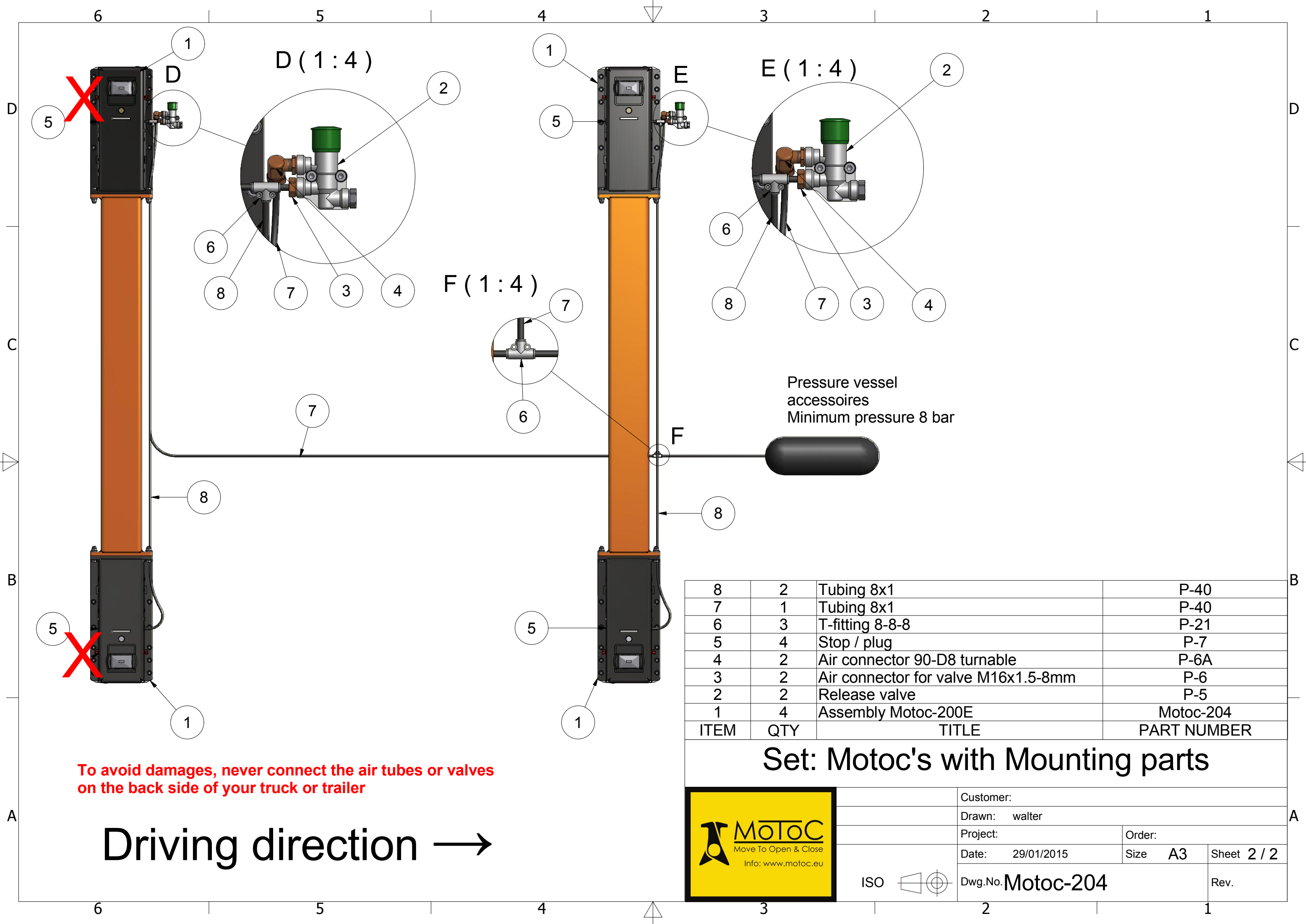
3	1	Assy Beam 160x80x8 Chassis 1000	Motoc-103D		Carbon Steel
2	2	Motoc-200E	Motoc-200E		
ITEM	QTY	TITLE	PART NUMBER	THICK	MATERIAL

Set: 2 Motoc's with mounting parts



Customer:		
Drawn: walter		
Project:	Order:	
Date: 29/01/2015	Size A2	Sheet 1 / 2
Dwg.No. Motoc-204	Rev.	





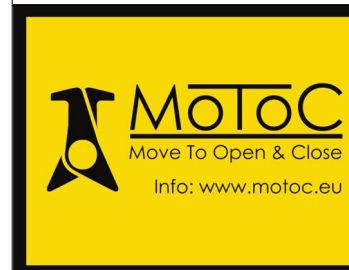
To avoid damages, never connect the air tubes or valves on the back side of your truck or trailer

Driving direction →

Pressure vessel  
accessoires  
Minimum pressure 8 bar

8	2	Tubing 8x1	P-40
7	1	Tubing 8x1	P-40
6	3	T-fitting 8-8-8	P-21
5	4	Stop / plug	P-7
4	2	Air connector 90-D8 turnable	P-6A
3	2	Air connector for valve M16x1.5-8mm	P-6
2	2	Release valve	P-5
1	4	Assembly Motoc-200E	Motoc-204
ITEM	QTY	TITLE	PART NUMBER

### Set: Motoc's with Mounting parts



Customer:	
Drawn: walter	
Project:	Order:
Date: 29/01/2015	Size A3
Sheet 2 / 2	
Dwg.No. Motoc-204	Rev.

